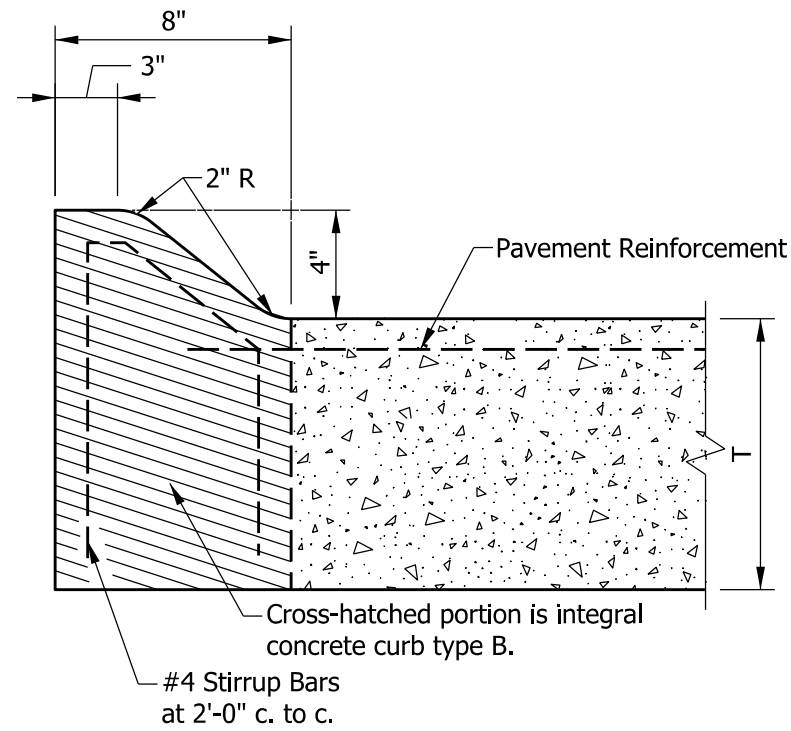
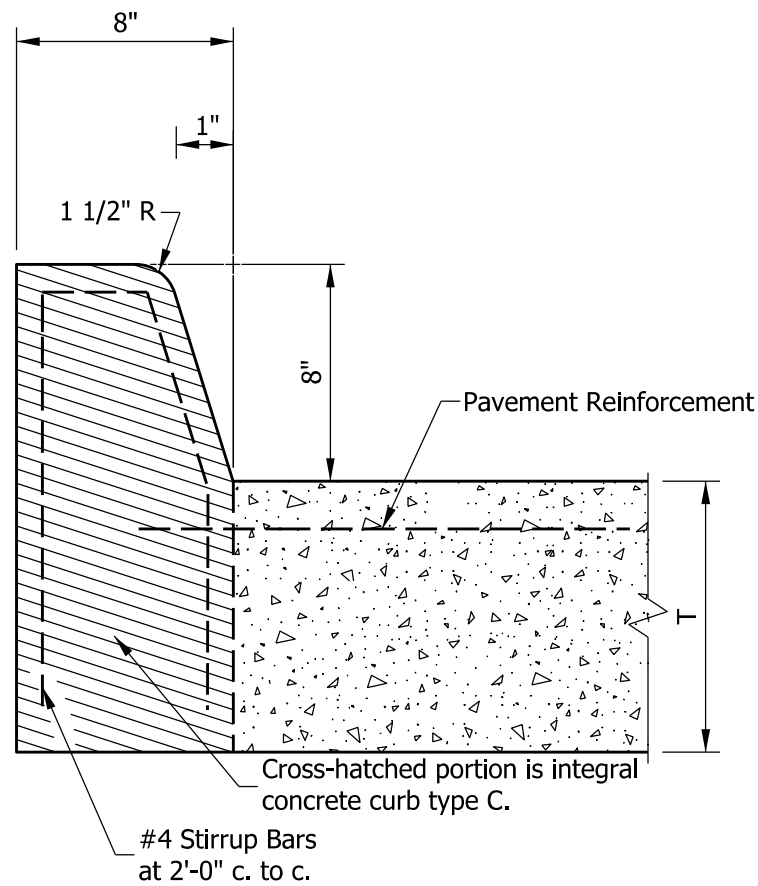


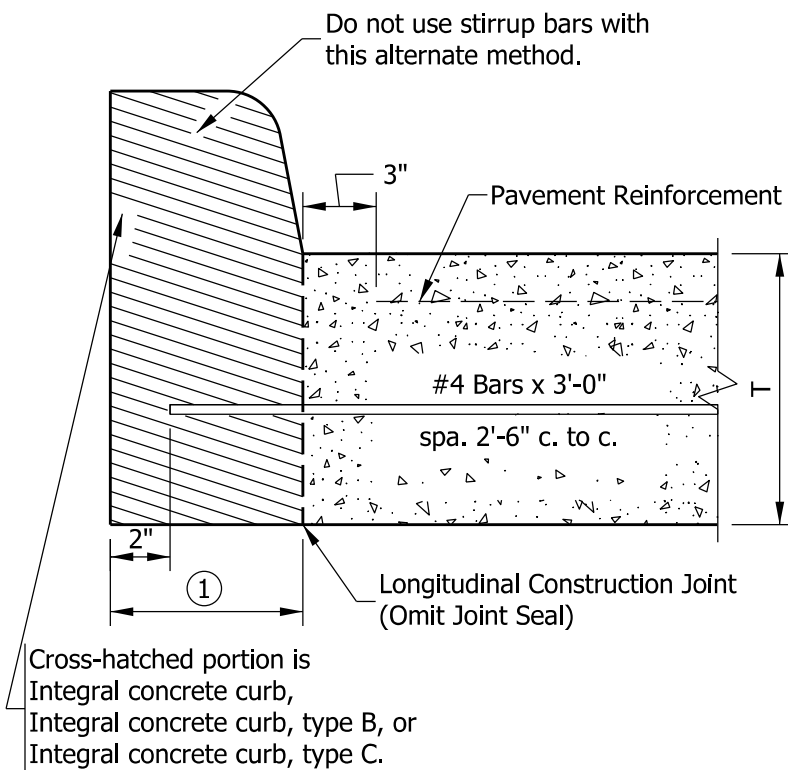
**INTEGRAL CONCRETE CURB  
(VERTICAL)**



**INTEGRAL CONCRETE CURB  
TYPE B  
(SLOPING)**



**INTEGRAL CONCRETE CURB  
TYPE C  
(VERTICAL)**



**ALTERNATE METHOD  
OF CONSTRUCTION FOR ALL TYPES  
OF INTEGRAL CONCRETE CURB**

**NOTES:**

- ① 8 in. for integral concrete curb type B or C and 7 in. for integral concrete curb.
- ② Concrete below this line may be poured with the pavement.

**LEGEND:**

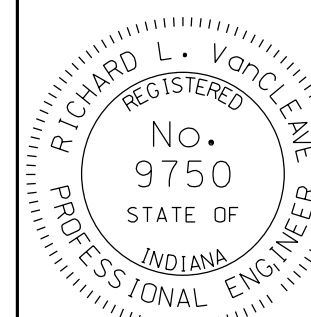
T = Nominal Pavement Thickness

INDIANA DEPARTMENT OF TRANSPORTATION

INTEGRAL CONCRETE CURB

SEPTEMBER 2004

STANDARD DRAWING NO. E 605-CCIN-01



/s/ Richard L. VanCleave 9-01-04  
DESIGN STANDARDS ENGINEER DATE

/s/ Richard K. Smutzer 9-01-04  
CHIEF ENGINEER DATE